

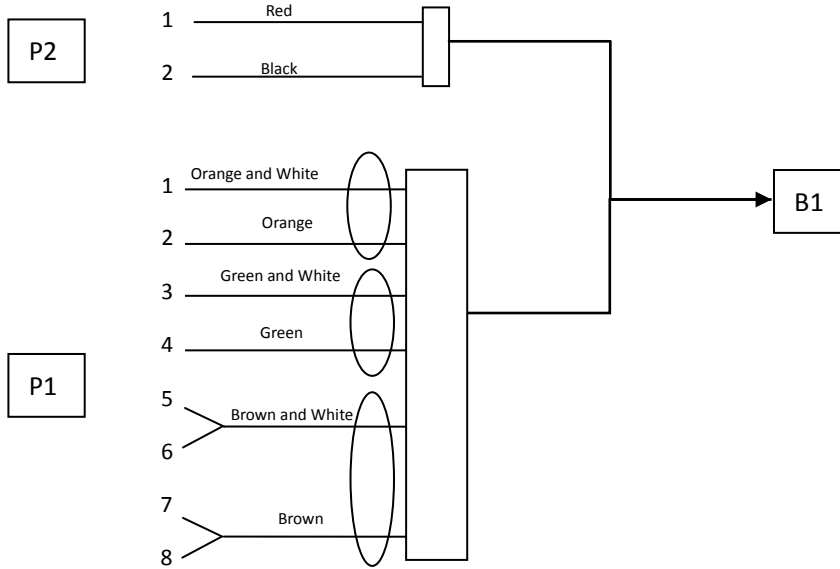
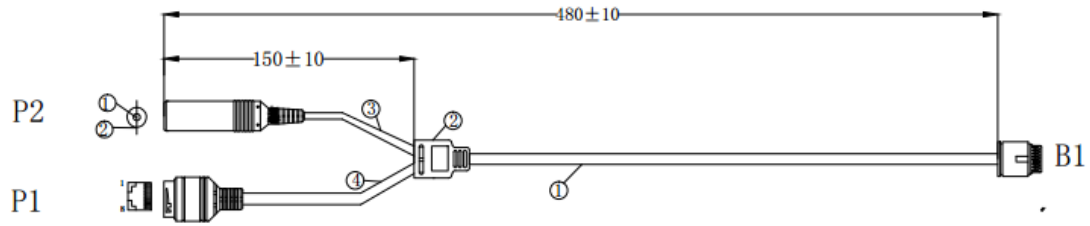
# QUICK START USER MANUAL

About user manual: before installation and use of the product, please read this manual in detail and keep it for future reference.

COMPANY STATEMENT:

1. We ensure the integrity and accuracy of the Manual contents, if there is any doubt or dispute, we have the right of final interpretation.
2. Manual book will be updated according to product enhancements, and described products or processes will be regularly changed or updated. Updated contents will be added in the new version without prior notice.
3. The manual contents for user's reference only, please take practicality as standard.
4. Manual book mentioned parts, components and accessories are for illustrative purpose only, do not stand for purchase configuration, please refer to the packing list for actual configuration details.

# 1.HIGH DEFINITION CAMERA INTERFACE



BOM		
P1	Waterproof RJ45 white 23-RJ45FS8P8CBS-00R	1PCS
	White 33-0813PVC55W-00R	12.5g
P2	DC8.0(5.5*2.5) nut 21-F5525801-00R	1PCS
	White 33-0813PVC55W-00R	4.1g
B1	1251TA 50% gold-plating 11-1251ATG-R	8PCS
	1251H-8P environmental 11-1251AH-18R	1PCS
	White 33-0813PVC55W-00R	
1	31-2464263P242262ALW50-00R L=480MM	1PCS
2	SR White 33-0813PVC55W-00R	8.6g
3	PVC pipe Ø2.8*155 white, thick 33-081028155WJH-00R	1PCS
4	PVC pipe Ø3.5*155 white, thick 33-081035155WJH-00R	1PCS

\* Which leads to the interface will be subject to the actual product

## 2.CONNECTION

Connection: connect IP cameras, computer and hub in LAN



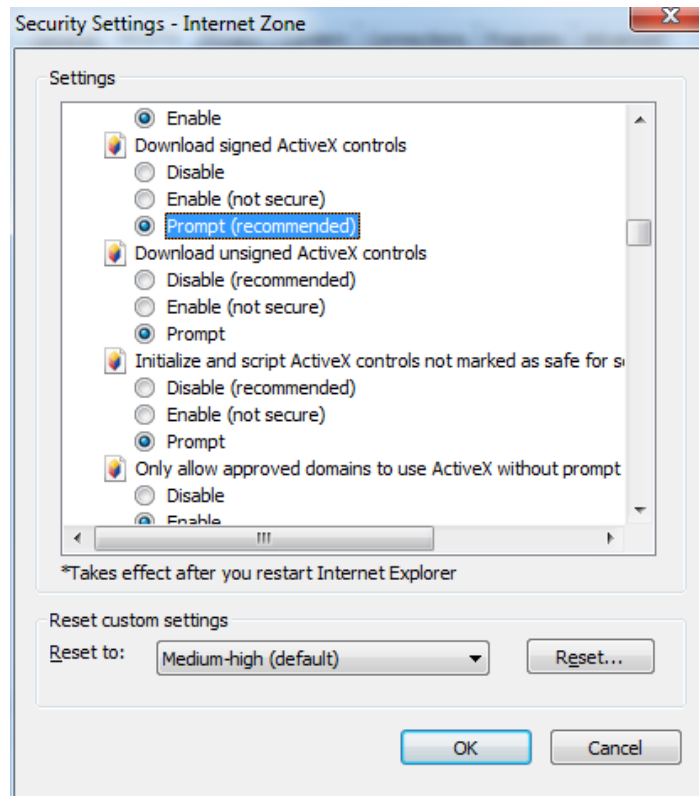
## 3.OPERATION

Notice: The default IP address is 192.168.0.99; please change our computer IP address in the same network segment. User Name: admin Password: admin

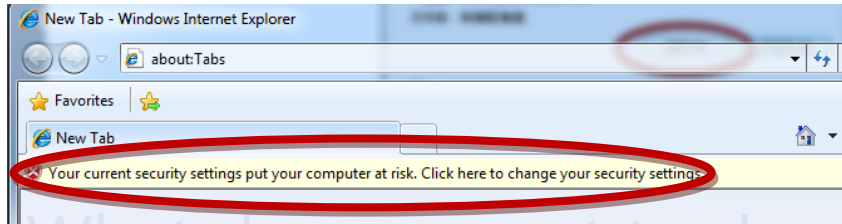
### 3.1ACTIVEX INSTALLATION

For first use IP equipment, please download the Active X, and it needs to setup the IE to ensure install it correctly. It is advised to use IE8, and operation as following:

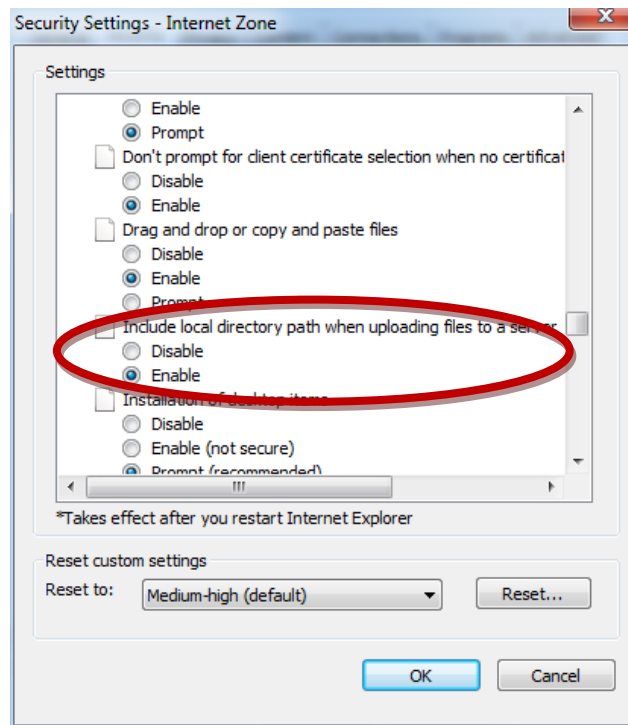
1. Open IE, Internet Zone-Modify configuration of ActiveX in Security setting, click"Prompt"of unsigned ActiveX, as figure:



2. Open IE, and then log on. Please operate the ActiveX when it shows safety warning, as figure:

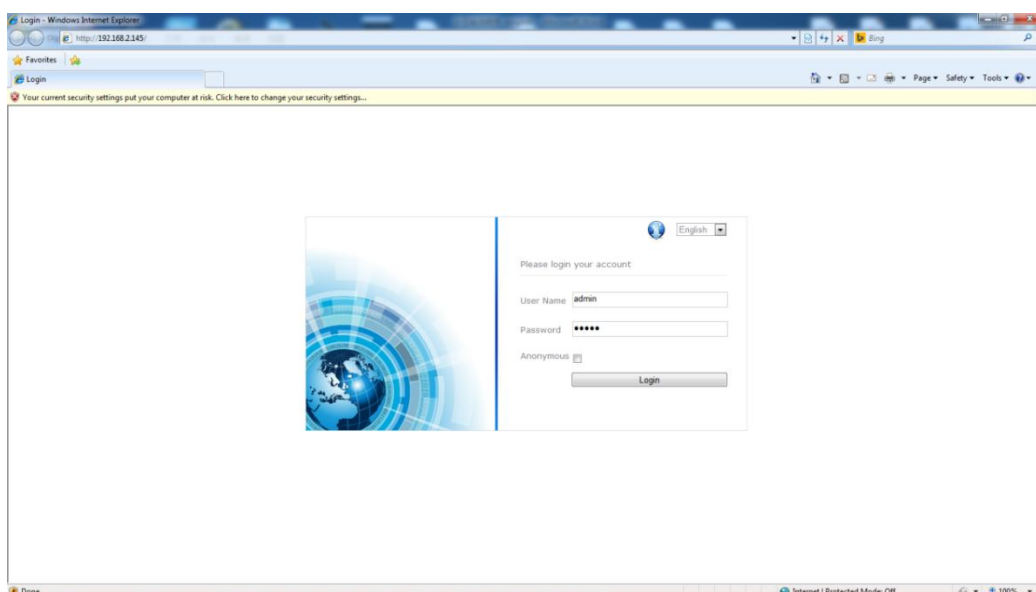


3. Modify permission setting-Enable local directory path when uploading files to a server, as figure:

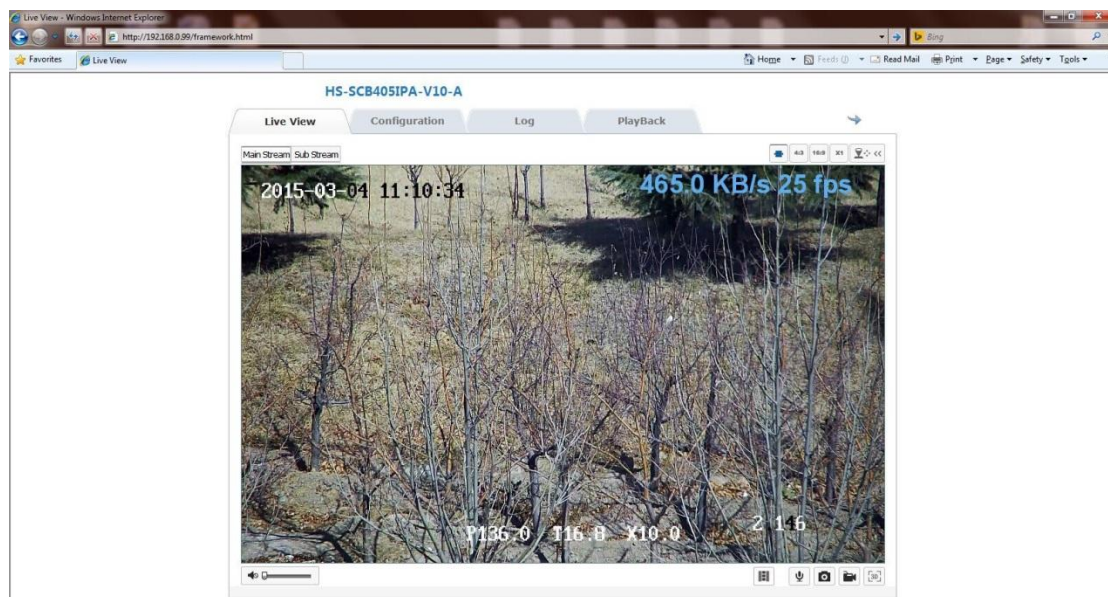
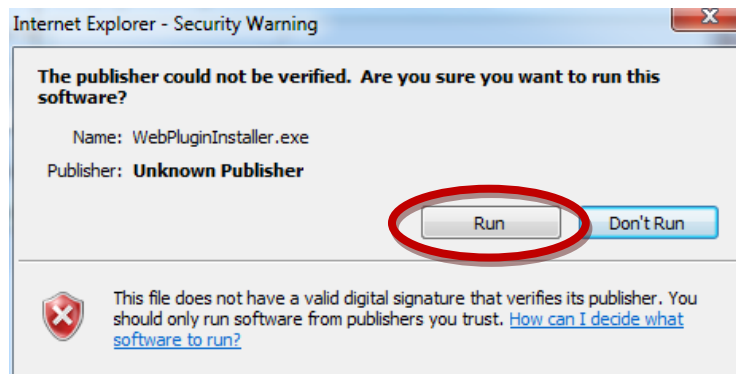


### 3.2IE LOGON

Enter IP address (default: 192.168.0.99) to open the interface, and input user name: admin and password: admin to logon.

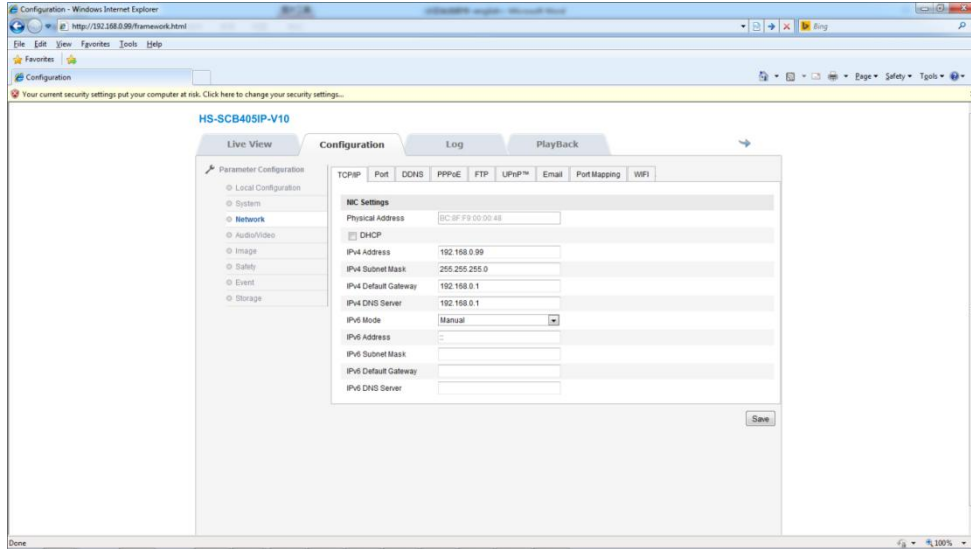


After log on, prompt set up. Close IE, after setting up, open the IE again to enter into preview interface.



### 3.3 IP MODIFY

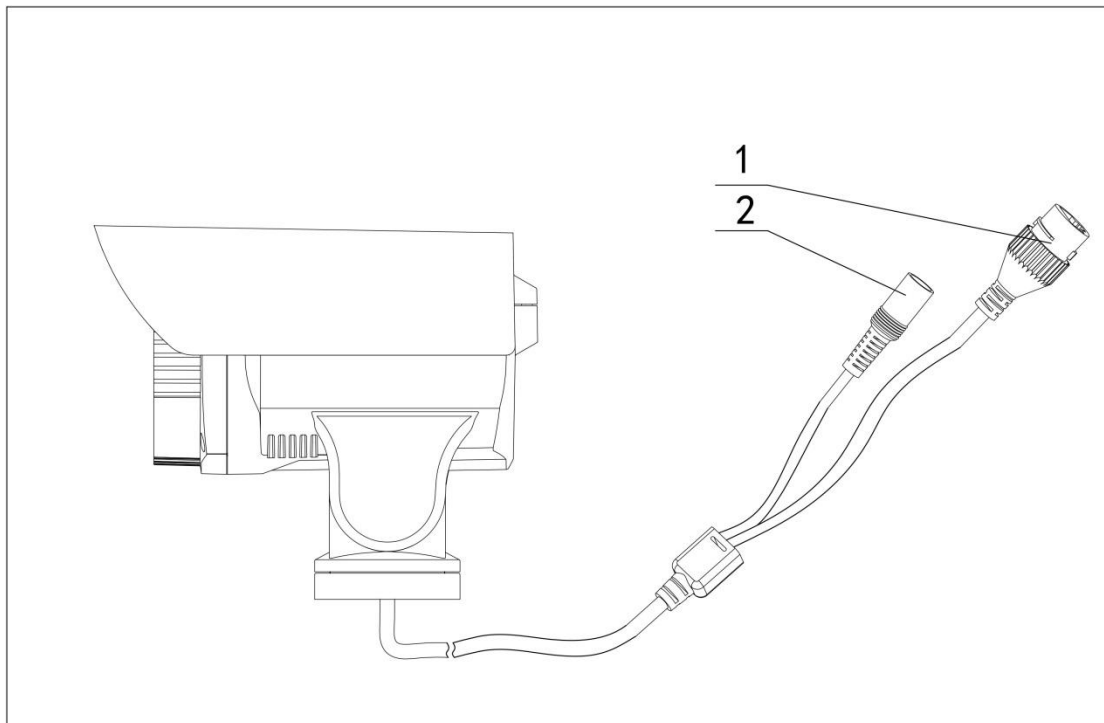
Click "Configuration" to enter the setup interface, and click "TCP/IP" of "Network", and modify IP address, Subnet, Gateway and DNS, and click "save" to save the modification, then the device will restart again, please logon with the new IP address



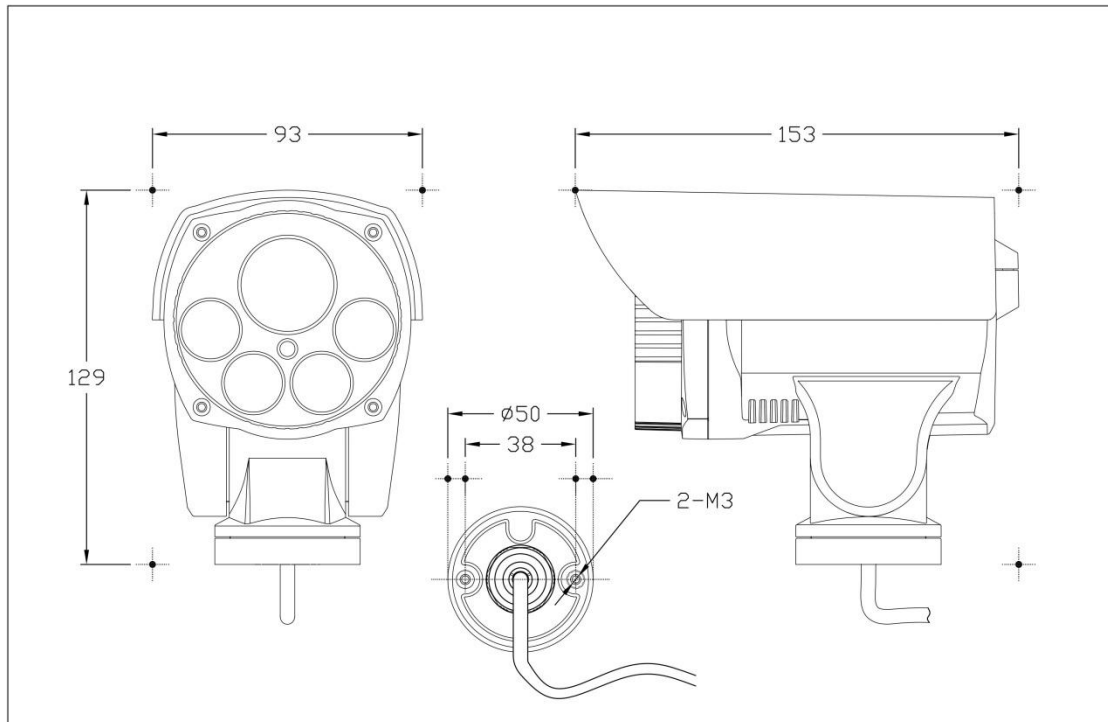
## 4. DIMENSION

### MINI HD NETWORK INTEGRATED PTZ CAMERA

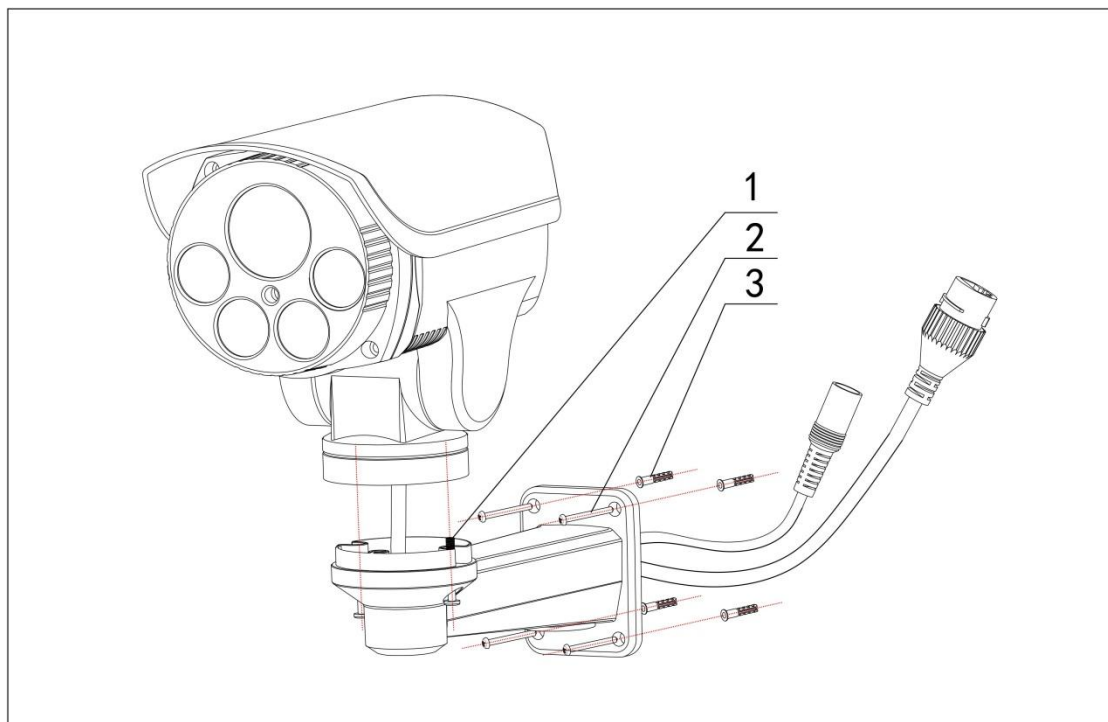
Picture 1 CABLE



**Picture 2 Structure dimension**



**Picture 3 Installation**





Picture 4 Wall bracket dimension

